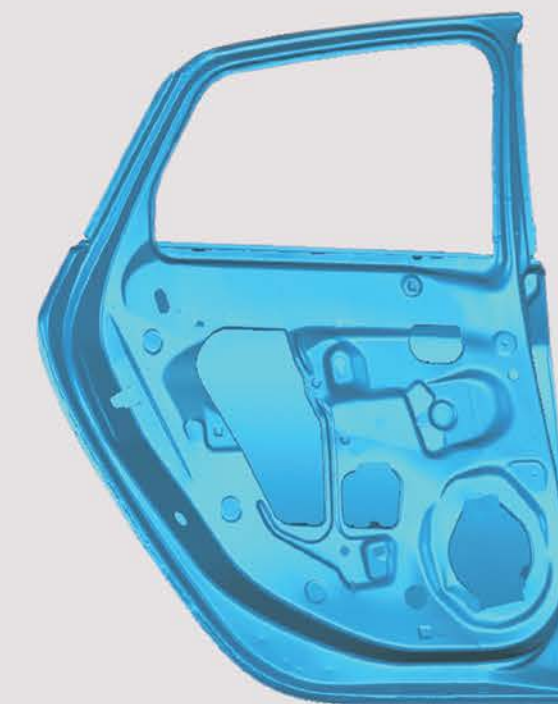
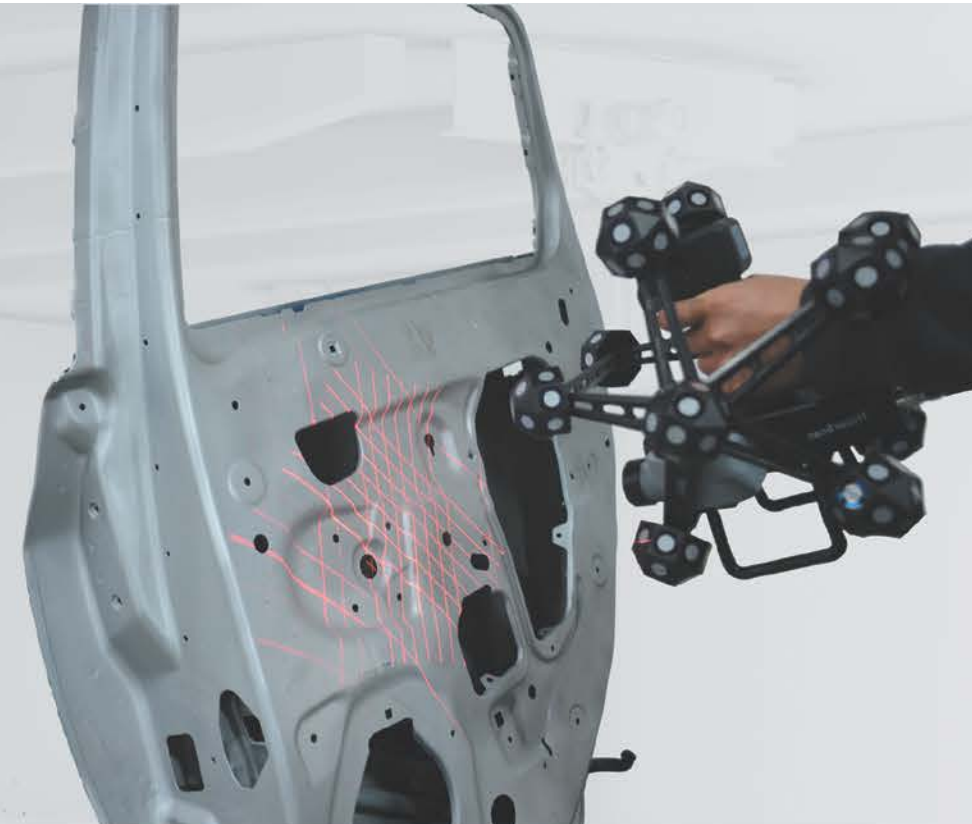


INDUSTRIAL 3D METROLOGY SOLUTIONS

**HyperScan™**

Smart Tracking 3D Scanner





· Real-time interaction between hardware and software with multi-functional buttons.

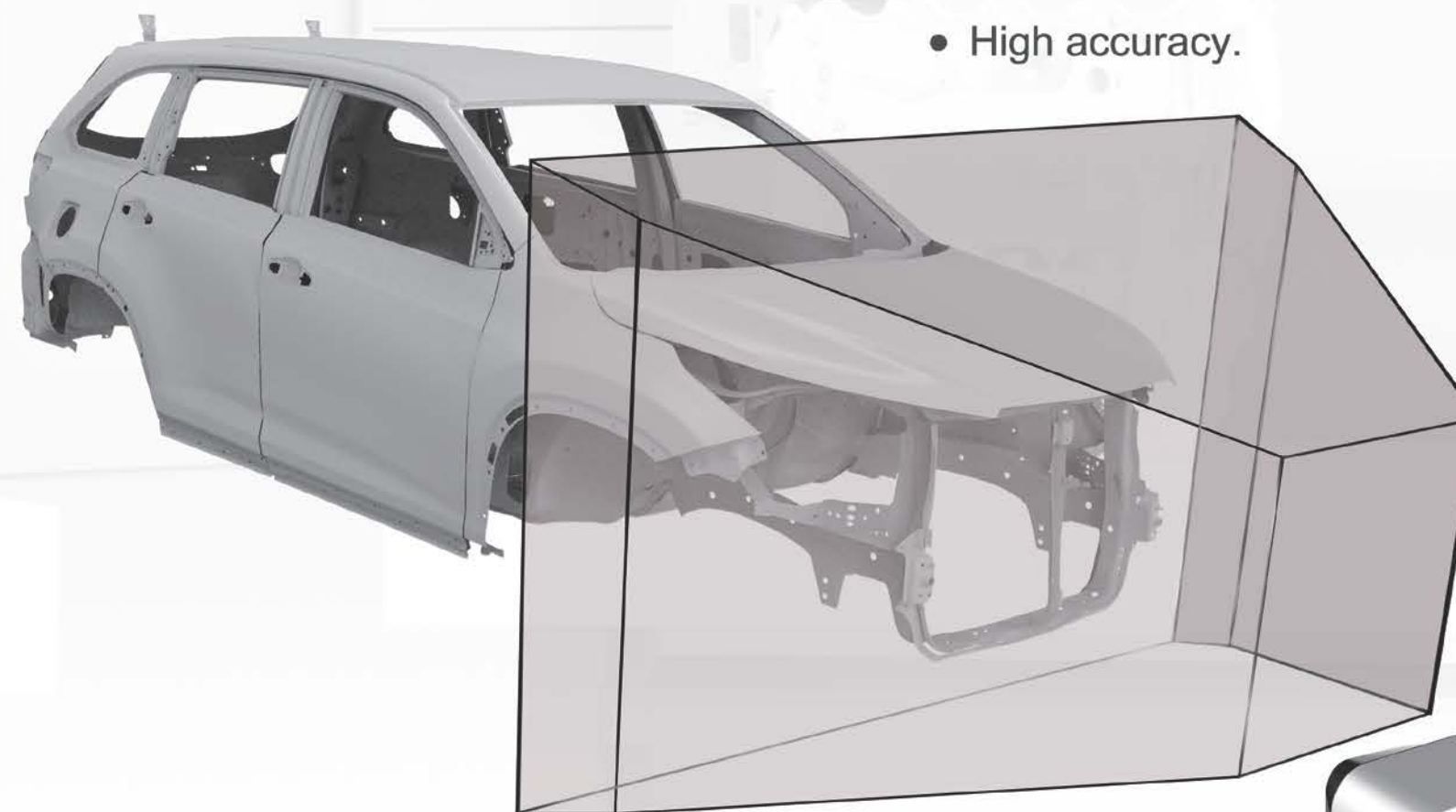
· Carbon fiber and Archimedean structure bring you a reliable device.

- Not influenced by complex factors like the vibration of workshop.
- Easy operation and no fixed installation needed.
- 17.6 m<sup>3</sup> spacious and expandable workspace.
- Plug and scan, with no positioning targets.
- High accuracy.



- 7 + 7 crossed laser lines + 1 extra laser line
- Black, highlight, and colorful surfaces can be scanned directly, no pre-processing needed.

· Accuracy up to 0.03mm





MODEL		HyperScan 717	HyperScan 313
WEIGHT		1.5 kg	
ACCURACY		Up to 0.03mm (0.0012 in)	Up to 0.03mm (0.0012 in)
VOLUME ACCURACY	9.6 m <sup>3</sup>	0.064mm (0.0025 in)	0.086mm (0.0034 in)
	17.6 m <sup>3</sup>	0.078mm (0.0031 in)	0.122mm (0.0048 in)
RESOLUTION		0.05 mm (0.0020 in)	
MEASURING RATE		480,000 measure/s	205,000 measure/s
LIGHT SOURCE		7 laser crosses (+ extra 1 line)	3 laser crosses (+ extra 1 line)
STAND-OFF DISTANCE		300 mm (11.8 in)	
DEPTH OF FIELD		250 mm (9.8 in)	
CONNECTION STANDARD		USB 3.0	
OPERATING TEMPERATURE		-20 ~ 40 °C	
OPERATING HUMIDITY		10 ~ 90%	
OUTPUT FORMATS		.stl, .obj, .asc, .ply, .txt, .xyz etc., customizable.	
COMPATIBLE SOFTWARE		3D Systems (Geomagic Solutions)、InnovMetric Software (PolyWorks)、Dassault Systemes (CATIA V5\SolidWorks)、PTC (Pro/ENGINEER)、Autodesk (Inventor、Alias、3ds Max、Maya、Softimage)、Siemens (NX\Solid Edge).	

ZG Technology Co., Ltd.  
 Address: 17-3A, No. 555, Wenhua Ave  
 Hongshan District, Wuhan, China P.C : 430061  
 Tel: +86 27 87741893 | Fax: +86 27 87741893  
 marketing@zg-3d.com | www.zg-3d.com

